

97 is known as: 97-USA

97-USA bulb specifications:

category: **Miniature**

volt: **13.5**

amp: **.69**

watt: **9.32**

base: **BA15s** - Single Contact Candelabra Bayonet (or S.C.Bayonet)

glass: **G6**

filament: **C2V**

fil.res.: **19.6** ohm

m.o.l.: **1.44** inches

l.c.l.: **.75** inches

i.lumens: **50.3**

cp: **4**

d.hours: **5000**

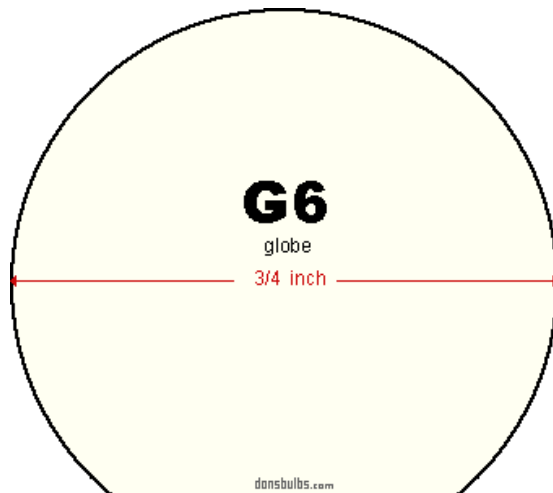
notes:

Automotive Lamp

side lamp

tail lamp

uses socket: [DB-BA15S1](#)



usual shape of **G6** glass envelopes (not to scale)

97-USA

also known as **Cross-Reference:**

97-USA

031293410436

031293410436-EIKO

031293410443

031293410443-EIKO

0450

13.5-9.3-04

20518-7

22781-9

23738-8

2641

97

97-BP

97-BP-EIKO

97-EIKO

97-GE

97-N

97-NORMAN

97GE

97N

A4125

AB2408

AGI-3118

AT4115

CM97

CNS-M1853A

G1210

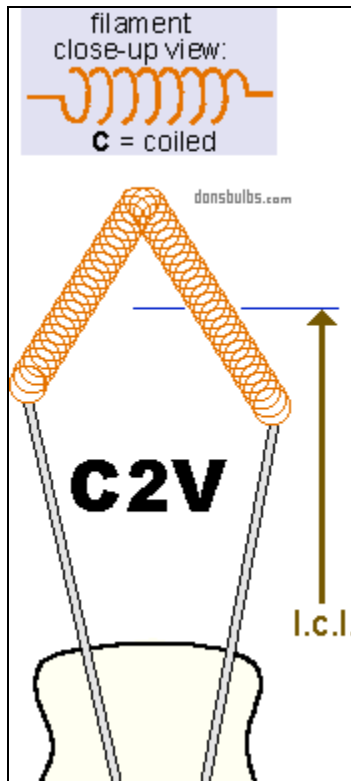
M1853A

M1853A-CNS

MB-00970

MB00970

TL3118



typical shape of **C2V** filament (not to scale)

97-USA

have been found in equipment:
American Optical Corporation

2055 Microscope

L-2 Medical

L2 Medical

Eastman Kodak Company

1 KODASLIDE-STEREO-VIEWER 35mm Projector Slide /
 Filmstrip

1 STEREO Projector Slide / Filmstrip

1 VIEWER Projector Slide / Filmstrip

I KODASLIDE-STEREO-VIEWER 35mm Projector Slide /
 Filmstrip

I STEREO Projector Slide / Filmstrip

I VIEWER Projector Slide / Filmstrip

GAF Corporation

1 PANA-VUE 35mm Projector Movie

2100 GAF-ULTRA-ZOOM Projector Overhead

2 PANA-VUE 35mm Projector Movie

AUTOMATIC-PANA-VUE 35mm Projector Movie

GAF-ZOOM Projector Overhead

PANA-VUE-AUTOMATIC 35mm Projector Movie

Leica

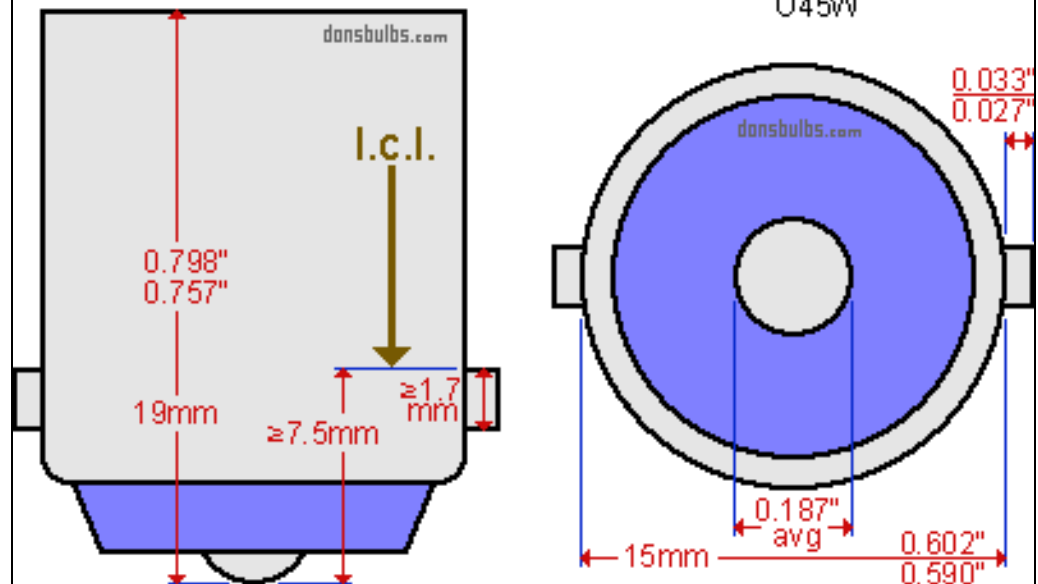
L-2 Medical

L2 Medical

Sawyer's Incorporated

PANA-VUE Projector Slide / Filmstrip

BA15s B15s IEC7004-11A9 A18B
 single contact bayonet DIN49720 A18C
 SC bayonet IEC7005-13 F15W A18F
 single contact candelabra bayonet G P21W A18G
 SCC (British single centre contact) R R5W SCC
 R10W SC
 R18W
 R21W
 U
 U45W



industry standards for base:

BA15s - Single Contact Candelabra Bayonet (or S.C.Bayonet)
 (not to scale)