

Miniature light bulb lamp 240 USA

240 6.3V 0.36A USA

240 6.3V 0.36A USA bulb specifications:

category: **Miniature**

volt: **6.3**

amp: **0.36**

watt: **2.27**

base: **BA9s** - Miniature Bayonet

glass: **T3-1/4**

filament: **C2R**

fil.res.: **17.5 ohm**

m.o.l.: **1.19 inch (30.23MM)**

l.c.l.: **0.6 inch (15MM)**

d.hours: **5000**

notes:

clear glass

incandescent

verified against ANSI-SR25D1997

240 / 12V / 15W EUROPEAN

240 / 6.3V / 0.36A USA (this bulb)

240 6.3V 0.36A USA

also known as

Cross-Reference:

240/6.3V/0.36A USA

240/6.3V/0.36A USA

240 CHICAGO-MINIATURE

240 GENERAL-ELECTRIC

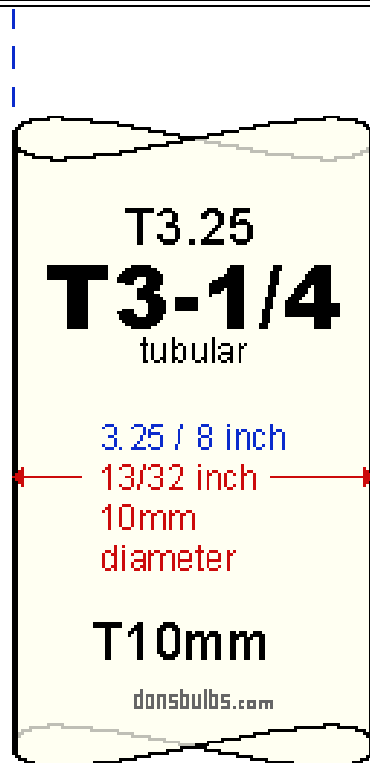
240 USA

ML-240 AIDLITE

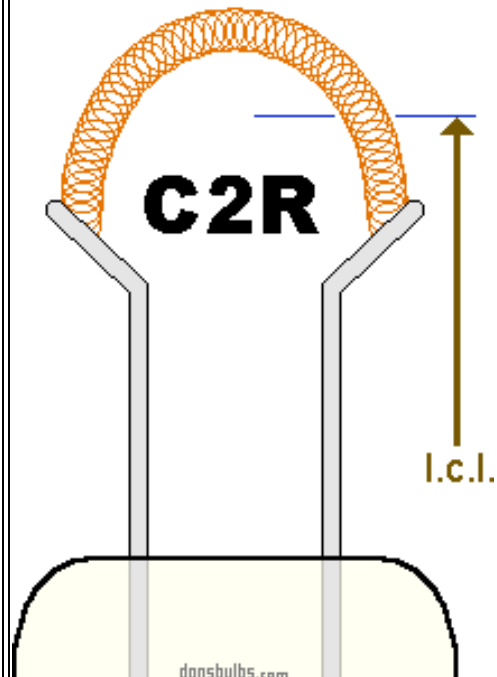
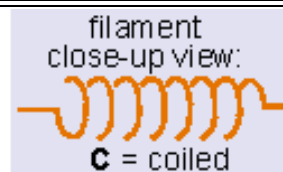
ML/240 AIDLITE

ML 240 AIDLITE

ML240 AIDLITE



typical shape of **T3-1/4** glass envelopes (not to scale)



typical shape of **C2R** filament (not to scale)

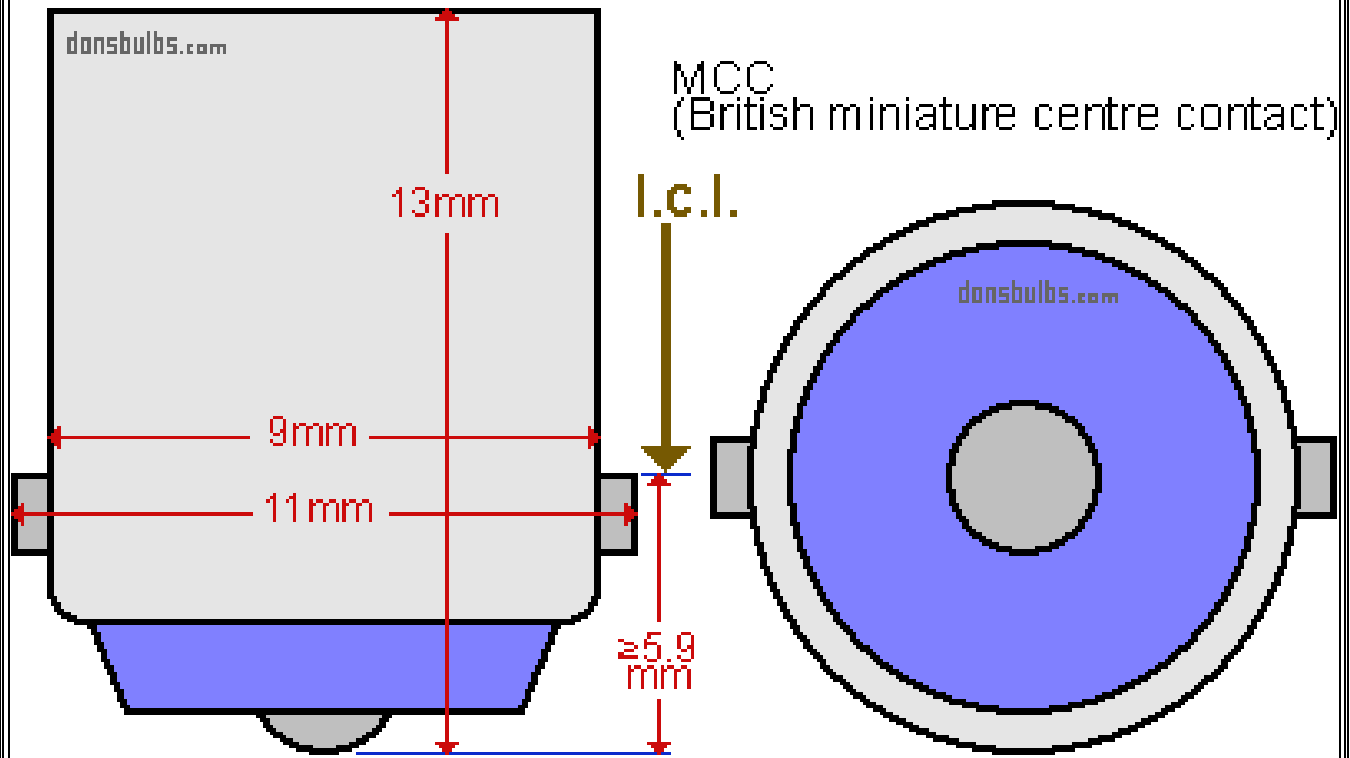
BA9s

miniature bayonet
SC miniature bayonet
single contact miniature bayonet

IEC7004-14
DIN49715

IEC7005-12
DIN49642T12

A18A
A18D
A18E
H
T2.3W
T4W



industry standards for base: BA9s - Miniature Bayonet (not to scale)