

miniature light bulb lamp **PR12 USA**

is known as: **5.95V 0.5A P13.5S TUBE 15H**

(I/5.95V/0.5A/P13.5S/TUBE/15H)

I 5.95V 0.5A P13.5S TUBE 15H

bulb specifications:

category: **Miniature**
volt: **5.95**
amp: **0.5**
watt: **2.98**
base: **P13.5s** - Single Contact
Miniature Flange
glass: **B3-1/2**
filament: **C2R**
fil.res.: **11.9** ohm
m.o.l.: **1.25** inch (31.7MM)
l.c.l.: **0.25** inch (6.3MM)
i.lumens: **39**
cp: **3.1**
d.hours: **15**

notes:

aircraft lamp
Bead Color is white
clear glass
dim: 11.5mmx30.5mm
dim: 11mmx30mm
emergency building lighting
flashlight bulb
incandescent
sc:5cor5d
sc:5d
specs verified against ANSI-
SR25D1997



I 5.95V 0.5A P13.5S TUBE 15H

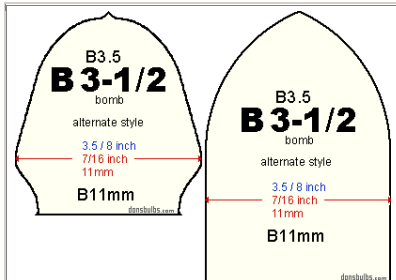
also known as

Cross-Reference:

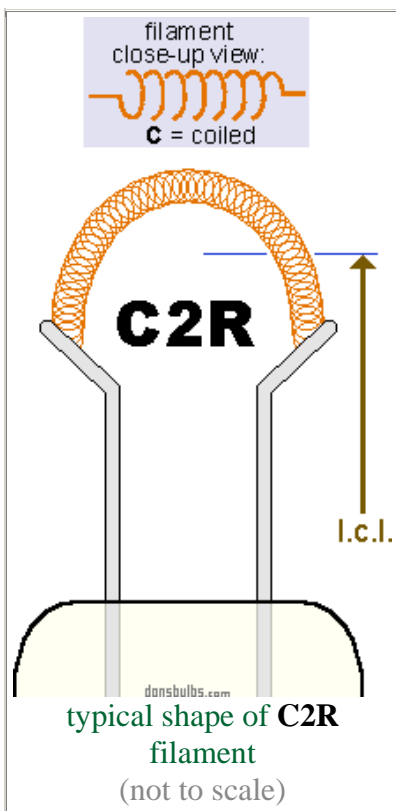
06-003-57 CANIMPEX
06-003-57
MICROLITES
6V/0.5A/PR12 ALTAN
9-B-B3-1/2-PR-12-D
PHILIPS
9-B-B3.5-PR-12-D
PHILIPS
9/B/B3-1/2/PR/12/D
PHILIPS
9/B/B3.5/PR/12/D
PHILIPS
9 B B3-1/2 PR 12 D
PHILIPS
9 B B3.5 PR 12 D
PHILIPS
9BB3-1/2PR12D
PHILIPS
9BB3.5PR12D PHILIPS
47-908-51 SSTL
6240-00-299-6767
FEDERAL-STOCK-
NUMBER
38931
50468 STANDARDPRO
111416 ORBITEC
754235 BULBRITE
801960 PHILIPS
801961 PHILIPS
1547110 GENERAL-

PR12/5.95V/0.7A/B3.5/P13.
5S
PR12/5.95V/3.1CP
CANDLEPOWER-
INCORPORATED
PR12/5.95V/3.1CP USA
PR12/5.95V/.70A/B3.5/S.C.
MINI-FLANGE
MICROLAMP
PR12/5.95V/.70A/B3.5/S.C.
MINI-FLANGED
MICROLAMP
PR12 AC/DELCO
PR12 AIDLITE
PR12 BRILUX
PR12 BULB-DIRECT
PR12 BULBRITE
PR12 CANDLEPOWER-
INCORPORATED
PR12 CEC
PR12 EIKO
PR12 GENERAL-
INSTRUMENT
PR12 GENERALELECTRIC
PR12 INTERLIGHT
PR12 LUMIACTION
PR12 MICROLAMP
PR12 NORMAN
PR12 PHILIPS
PR12 SATCO
PR12 TUNGSOL
PR12 USA
PR12BLISTERPACK EIKO
PR12BP CEC
PR12MBC
GENERALELECTRIC
PR0595.500 BAILEY

typical photo of **I 5.95V 0.5A P13.5S TUBE 15H** bulb type
(your bulb may look slightly different)



typical shape of **B3-1/2** glass envelopes
(not to scale)

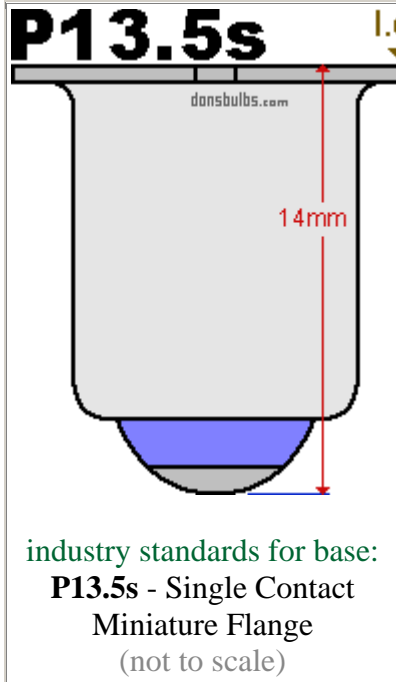


typical shape of **C2R** filament
(not to scale)

MOTORS

4790851 SSTL
031293400840 EIKO
031293400857 EIKO
045923069260 SATCO
69549004689
69549004689UPC
STANDARDPRO
6240002996767
AGI-0117
AGI/0117
AGI 0117
AGI0117
AKB-1113 BRI-LUX
AKB/1113 BRI-LUX
AKB 1113 BRI-LUX
AKB1113 BRILUX
B3.5/CL/5.95V/0.5A/P1
3.5S/STD
STANDARDPRO
E-3698 ORBITEC
E3698 ORBITEC
I/5.95V/0.5A/P13.5S/B3.
5
I/5.95V/0.5A/P13.5S/B3.
5/15H
I/5.95V/0.5A/P13.5S/TU
BE
I/5.95V/0.5A/P13.5S/TU
BE/15H
MB-77012
MB/77012
MB 77012
MB77012
MBC-PR-12
MBC/PR/12
MBC PR 12
MBCPR12
PR-12-BLISTER-PACK
EIKO
PR-12-MBC
GENERAL-ELECTRIC
PR-12/5.95V/0.5A CEC
PR-12/5.95V/0.5A USA
PR-12 AIDLITE

S6926 SATCO
T126 ALTAN



- PR-12 ANSI
- PR-12 BRI-LUX
- PR-12 CEC
- PR-12 EIKO
- PR-12 GENERAL-ELECTRIC
- PR-12 PHILIPS
- PR-12 STANDARDPRO
- PR-12 TUNGSOL
- PR-12 USA
- PR/12/BLISTER-PACK EIKO
- PR/12/MBC GENERAL-ELECTRIC
- PR/12 AIDLITE
- PR/12 BRI-LUX
- PR/12 EIKO
- PR/12 GENERAL-ELECTRIC
- PR/12 PHILIPS
- PR/12 TUNGSOL
- PR 12 AIDLITE
- PR 12 BLISTER-PACK EIKO
- PR 12 BRI-LUX
- PR 12 EIKO
- PR 12 GENERAL-ELECTRIC
- PR 12 MBC GENERAL-ELECTRIC
- PR 12 PHILIPS
- PR 12 TUNGSOL
- PR12-BP EIKO
- PR12/5.95V/0.501A/2.9 8W USA
- PR12/5.95V/0.5A/P13.5 S USA
- PR12/5.95V/0.5A LUMIACTION
- PR12/5.95V/0.5A USA

