

# PR15 USA

I/4.82V/0.5A/P13.5S/B3.5/CL/30H

bulb specifications:

category: Incandescent-miniature lamp  
voltage: 4.82  
amp: 0.5  
watt: 2.41  
base: P13.5s - Single Contact Miniature Flange  
glass: B3-1/2  
filament: C2R  
fil.res.: 9.64 ohm  
m.o.l.: 1.25 inch (31.8MM)  
l.c.l.: 0.25 inch (6.4MM)  
i.lumens: 25.1  
cp: 2  
d.hours: 30  
notes: clear glass

dim:30.5MMx11.5MM

dim:30MMx11MM

flashlight bulb

hand lantern lamp

incandescent lamp

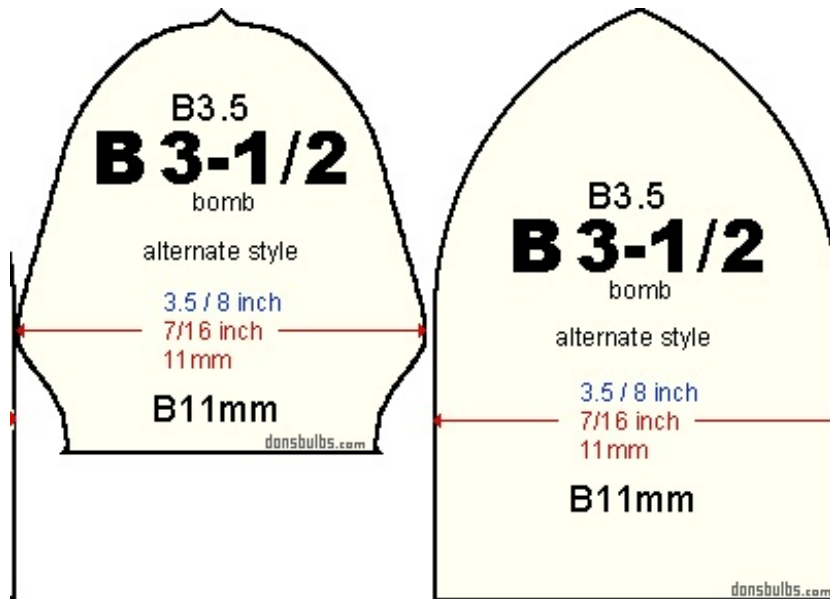
sc:6voltbattery

sc:8f

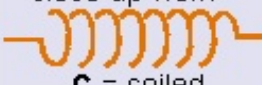
specs verified against ANSI-SR25D1997

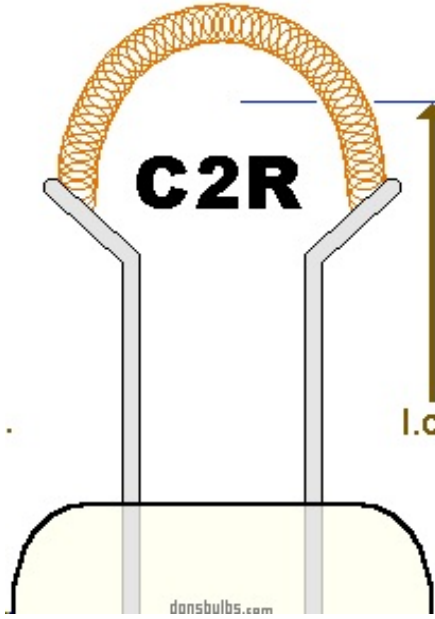


typical photo of PR15 USA



typical shape of B3-1/2 glass envelopes

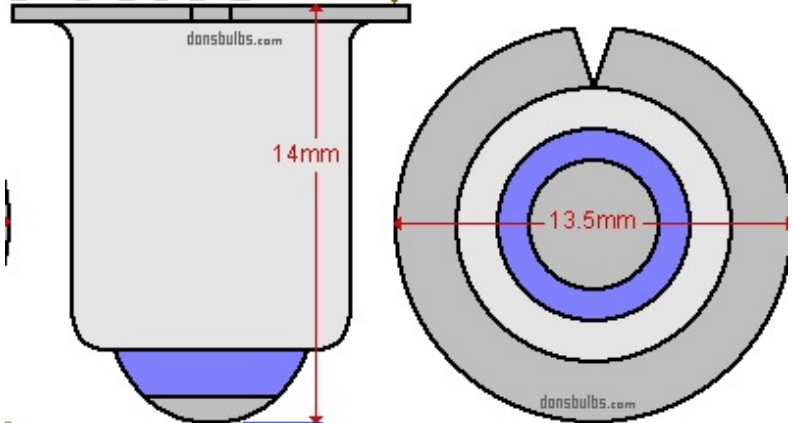
filament  
close-up view:  
  
C = coiled



typical shape of C2R filament

**P13.5s**      l.c.l.

H82  
H83



industry standards for base: P13.5s - Single Contact  
Miniature Flange