

PR16 USA

I/12.5V/0.25A/P13.5S/B3.5/CL/50H

bulb specifications:

category: Incandescent-miniature lamp
voltage: 12.5
amp: 0.25
watt: 3.13
base: P13.5s - Single Contact Miniature Flange
glass: B3-1/2
filament: C2R
fil.res.: 50 ohm
m.o.l.: 1.25 inch (31.8MM)
l.c.l.: 0.25 inch (6.4MM)
i.lumens: 33.9
cp: 2.7
d.hours: 50
notes: automobile lamp

clear glass

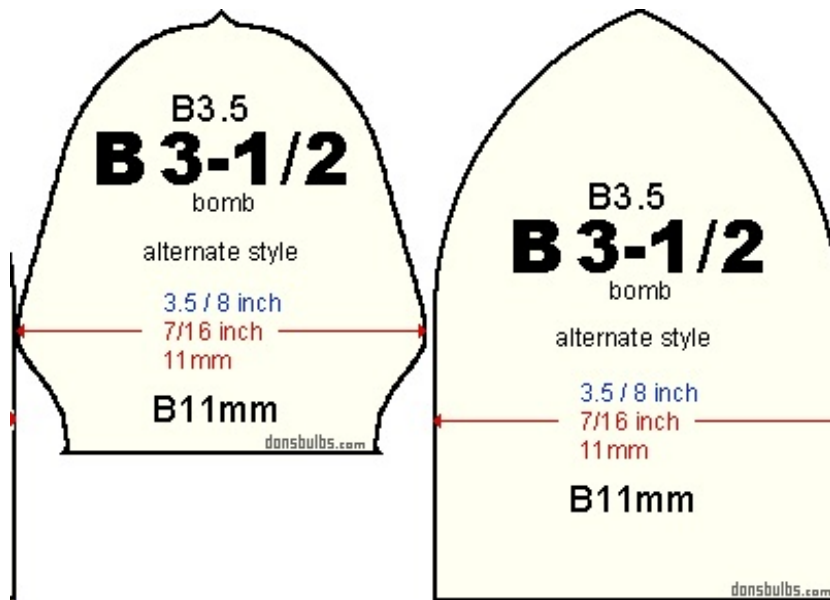
dim: 30.5MMx11.5MM

flight light lamp

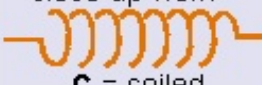
specs verified against ANSI-SR25D1997

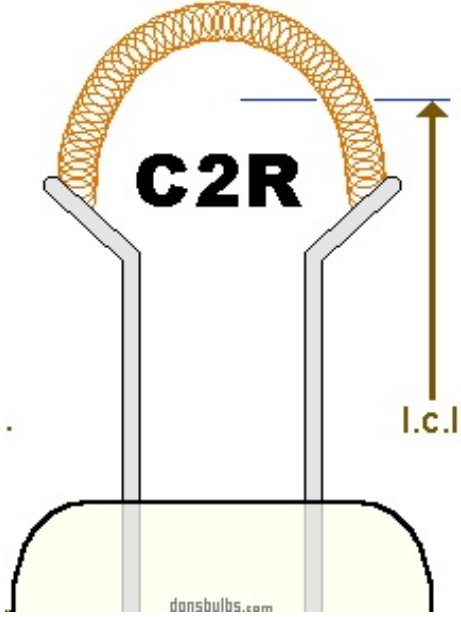


typical photo of PR16 USA

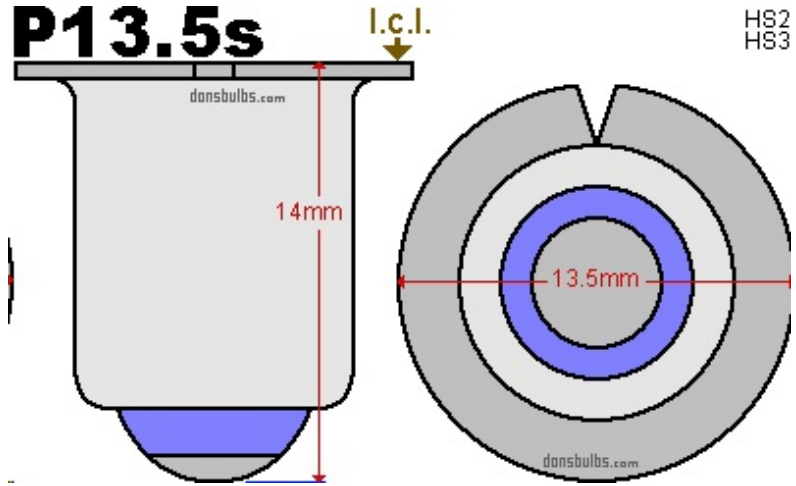


typical shape of B3-1/2 glass envelopes

filament
close-up view:

C = coiled



typical shape of C2R filament



industry standards for base: P13.5s - Single Contact Miniature Flange