

PR18 USA

I/7.2V/0.55A/P13.5S/B3.5/CL/3H

bulb specifications:

category: Incandescent-miniature lamp
volt: 7.2
amp: 0.55
watt: 3.96
base: P13.5s - Single Contact Miniature Flange
glass: B3-1/2
filament: C2R
fil.res.: 13.1 ohm
m.o.l.: 1.25 inch (31.8MM)
l.c.l.: 0.25 inch (6.4MM)
i.lumens: 69.1
cp: 5.5
d.hours: 3
notes: aircraft lamp

clear glass

dim:30.5MMx11.5MM

dim:30MMx11MM

emergency building lighting lamp

flashlight bulb

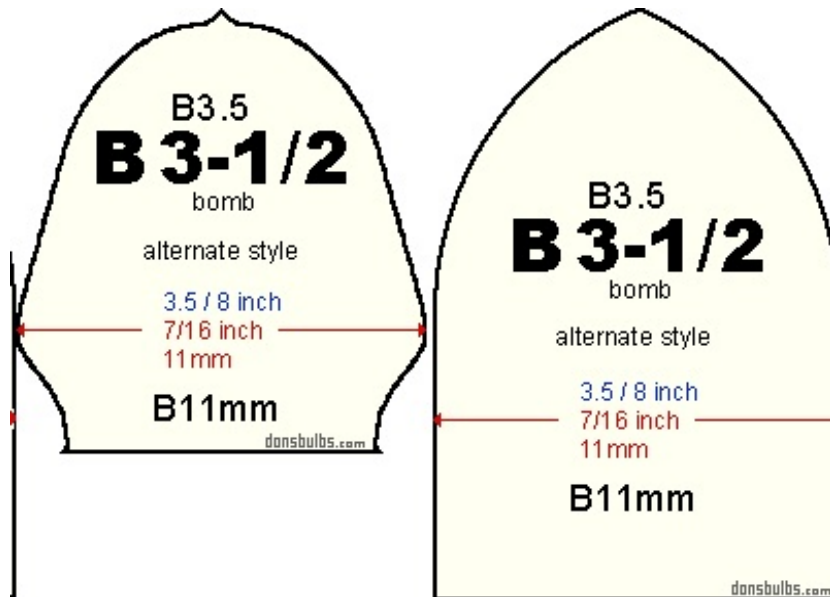
incandescent lamp

sc:6d

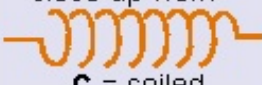
specs verified against ANSI-SR25D1997

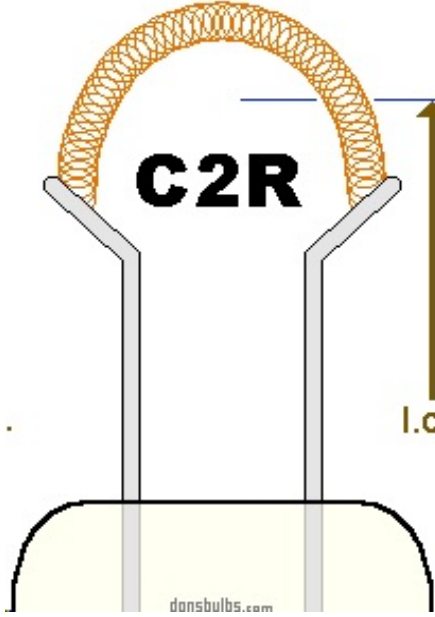


typical photo of
PR18 USA



typical shape of B3-1/2 glass envelopes

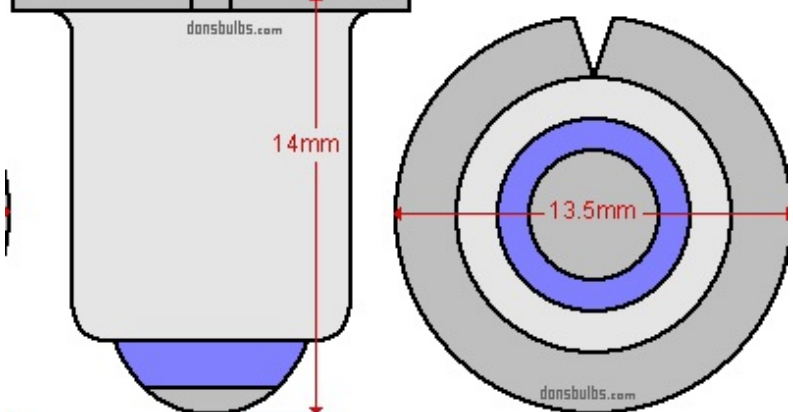
filament
close-up view:

C = coiled



typical shape of C2R filament

P13.5s l.c.l.

H82
H83



industry standards for base: P13.5s - Single Contact
Miniature Flange