

PR20 USA

I/8.63V/0.5A/P13.5S/B3.5/CL/15H

bulb specifications:

category: Incandescent-miniature lamp
voltage: 8.63
amp: 0.5
watt: 4.32
base: P13.5s - Single Contact Miniature Flange
glass: B3-1/2
filament: C2R
fil.res.: 17.3 ohm
m.o.l.: 1.25 inch (31.8MM)
l.c.l.: 0.25 inch (6.4MM)
i.lumens: 62.9
cp: 5
d.hours: 15
notes: clear glass
dim: 30MMx11.5MM

flashlight bulb

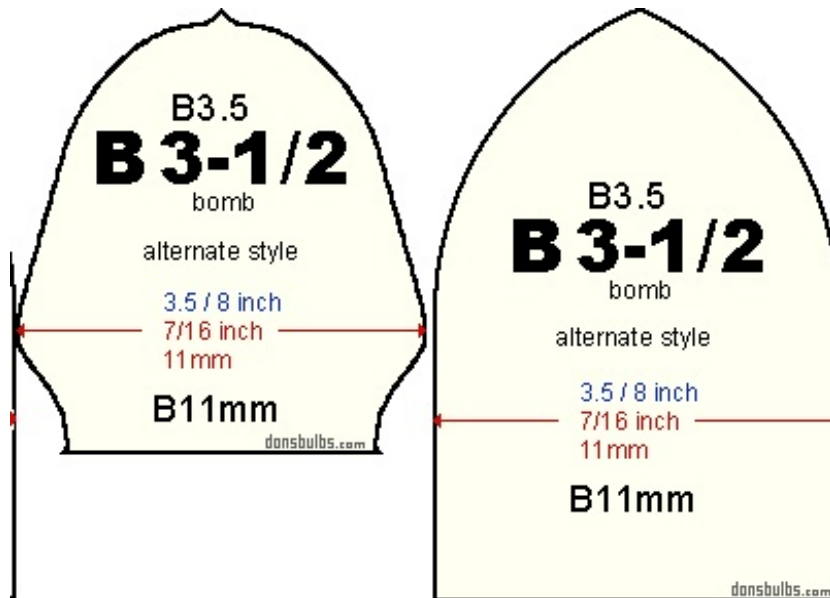
incandescent lamp

sc:7d

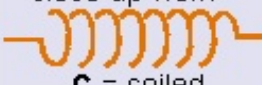
specs verified against ANSI-SR25D1997

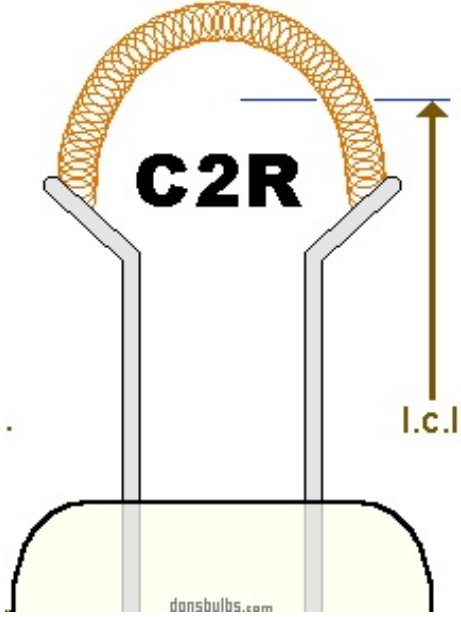


typical photo of
PR20 USA

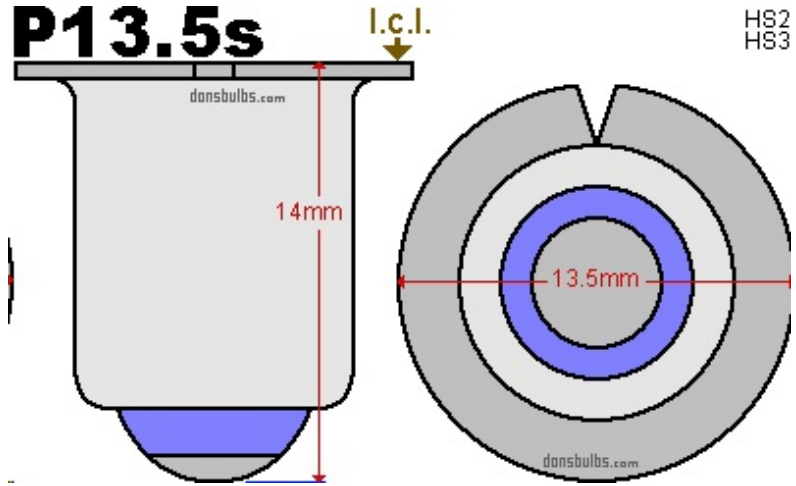


typical shape of B3-1/2 glass envelopes

filament
close-up view:

C = coiled



typical shape of C2R filament



H82
H83

industry standards for base: P13.5s - Single Contact
Miniature Flange