

PR3 USA

I/3.6V/1.8W/P13.5S/B3.5/CL/15H

bulb specifications:

category:Incandescent - Miniature Lamp

volt:3.6

amp:0.5

watt:1.8

base:P13.5s - Single Contact Miniature Flange

glass:B3-1/2

filament:C2R

fil.res.:7.2 ohm

m.o.l.:1.25 inch (31.7MM)

l.c.l.:0.25 inch (6.3MM)

i.lumens:18.9

cp:1.5

d.hours:15

notes:

aircraft lamp

Bead Color is green

Bead Color is yellow

clear glass

dim:30.5MMx11.5MM

emergency building lighting lamp

flashlight bulb

gas:vacuum

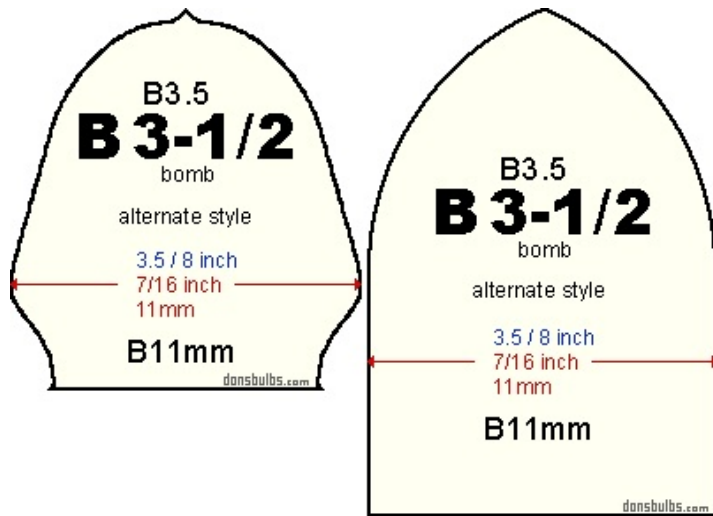
incandescent lamp

sc:3d

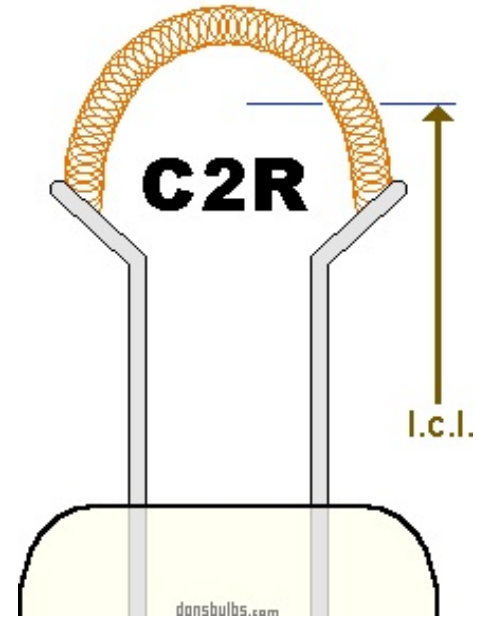
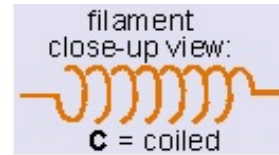
specs verified against ANSI-SR25D1997



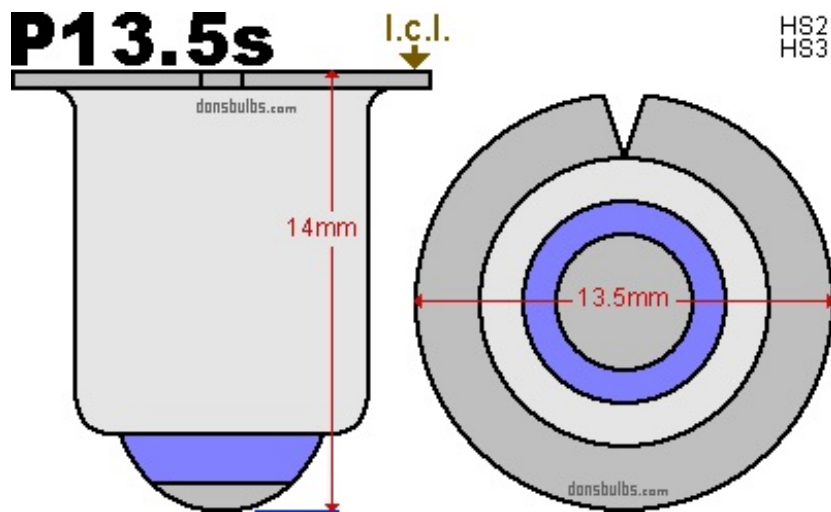
typical photo of PR3 USA
I/3.6V/1.8W/P13.5S/B3.5/CL/15H bulb type
(your bulb may look slightly different)



typical shape of B3-1/2 glass envelopes (not to scale)



typical shape of C2R filament (not to scale)



industry standards for base: P13.5s - Single Contact Miniature Flange (not to scale)