

PR30 USA

I/3.75V/0.86A/P13.5S/B3.5/CL/50H

bulb specifications:

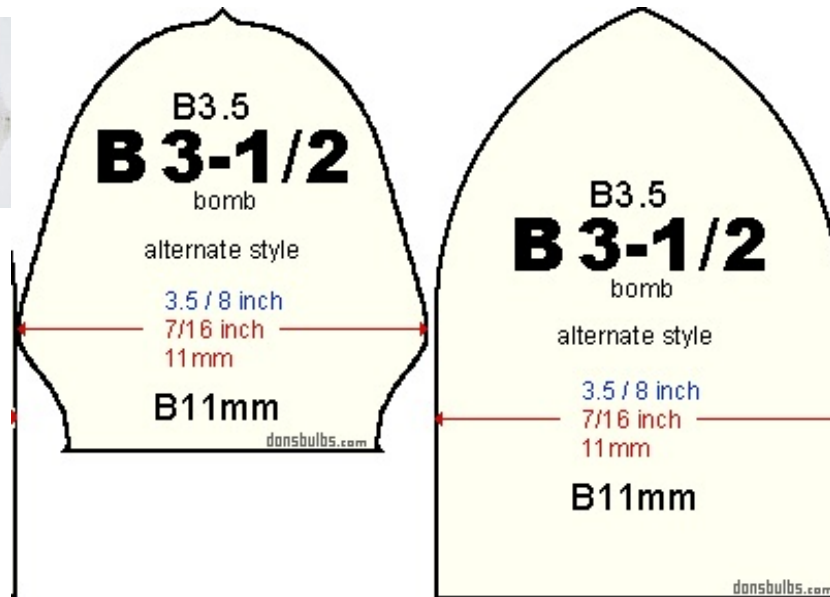
category: Incandescent-miniature lamp
voltage: 3.75
amp: 0.86
watt: 3.23
base: P13.5s - Single Contact Miniature Flange
glass: B3-1/2
filament: C2R
fil.res.: 4.36 ohm
m.o.l.: 1.25 inch (31.8MM)
l.c.l.: 0.25 inch (6.4MM)
i.lumens: 2.25
cp: 0.18
d.hours: 50
notes: clear glass
dim: 30MMx11MM

flashlight bulb

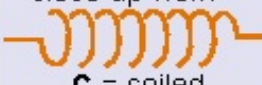
krypton gas

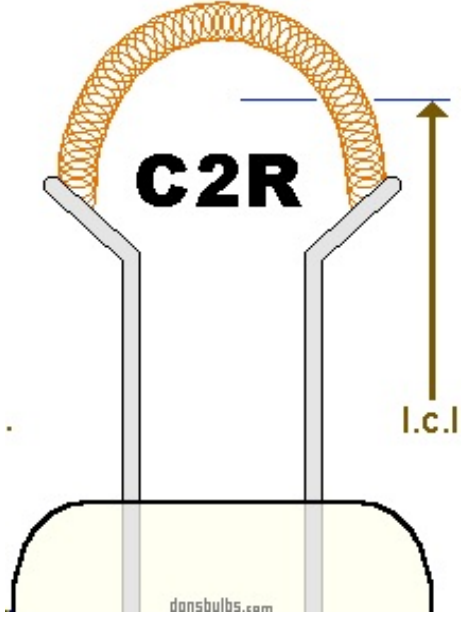
sc:3c

specs verified against ANSI-SR25D1997

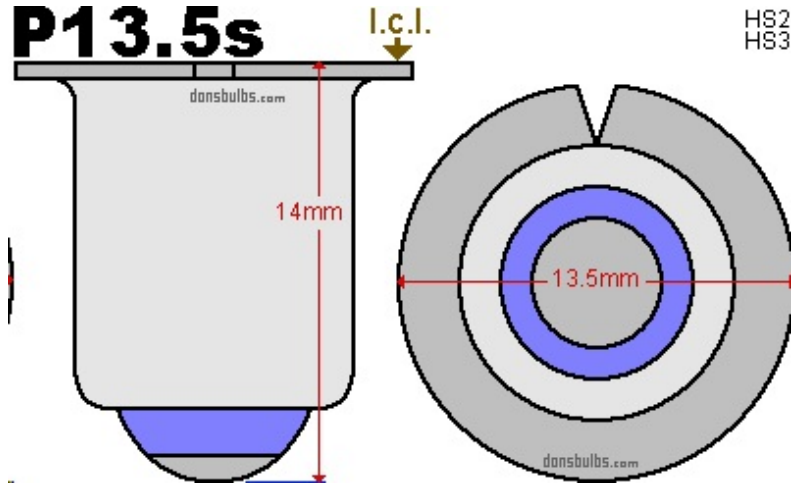


typical shape of B3-1/2 glass envelopes

filament
close-up view:

C = coiled



typical shape of C2R filament



industry standards for base: P13.5s - Single Contact
Miniature Flange