

PR4 USA

I/2.3V/0.27A/P13.5S/B3.5/CL/10H

bulb specifications:

category:Incandescent - Miniature Lamp

volt:2.3

amp:0.27

watt:0.62

base:P13.5s - Single Contact Miniature Flange

glass:B3-1/2

filament:C2R

fil.res.:8.52 ohm

m.o.l.:1.25 inch (31.7MM)

l.c.l.:0.25 inch (6.3MM)

i.lumens:5.03

cp:0.4

d.hours:10

notes:

Bead Color is yellow

clear glass

dim:30.5MMx11.5MM

dim:30MMx11MM

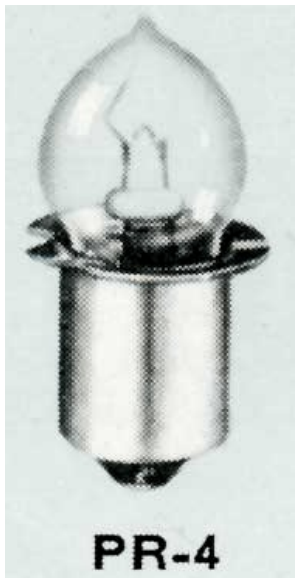
emergency building lighting lamp

flashlight bulb

incandescent lamp

sc:2c

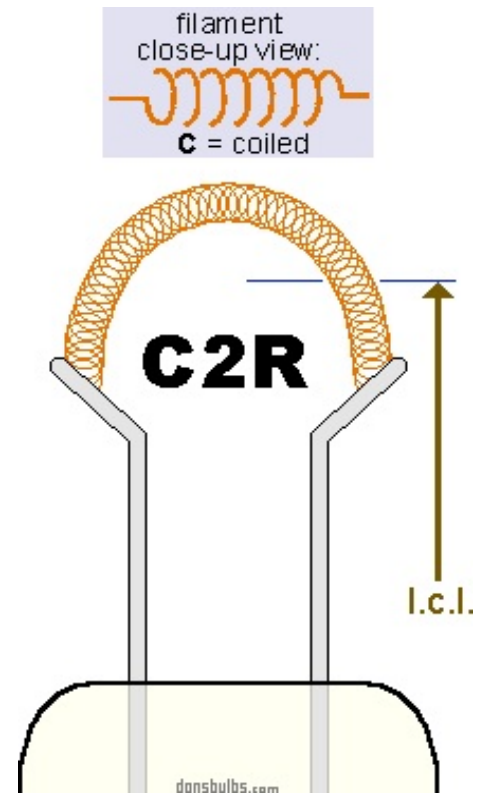
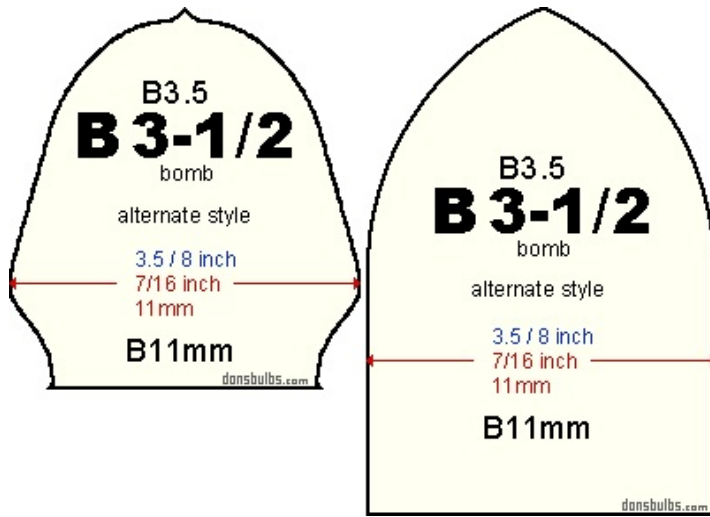
specs verified against ANSI-SR25D1997



typical photo of PR4 USA

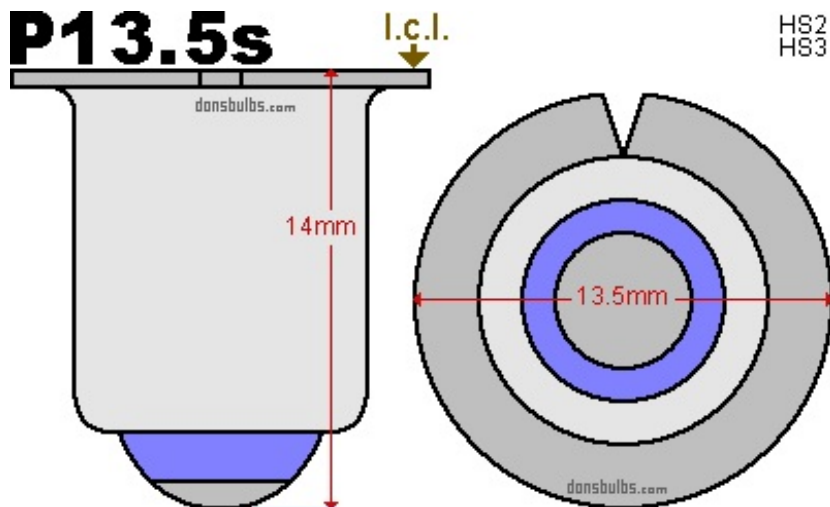
[I/2.3V/0.27A/P13.5S/B3.5/CL/10H](#)

(your bulb may look slightly different)



typical shape of B3-1/2 glass envelopes (not to scale)

typical shape of C2R filament
(not to scale)



industry standards for base: P13.5s - Single Contact Miniature Flange
(not to scale)