

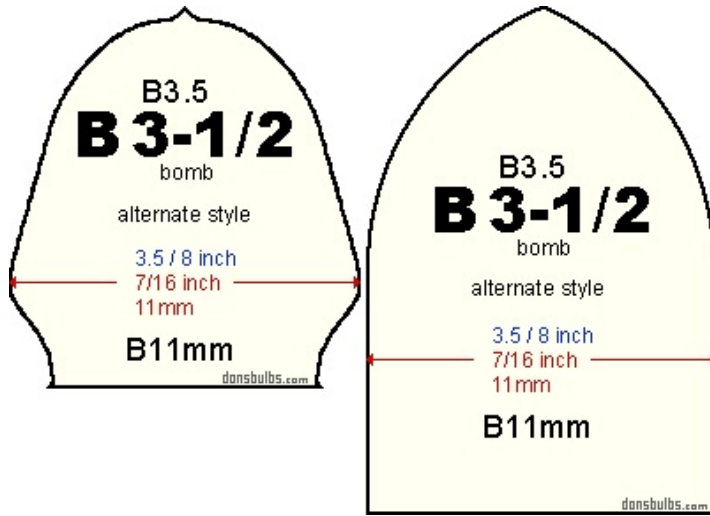
PR6 USA  
I/2.5V/0.3A/P13.5S/B3.5/CL/30H  
bulb specifications:

---

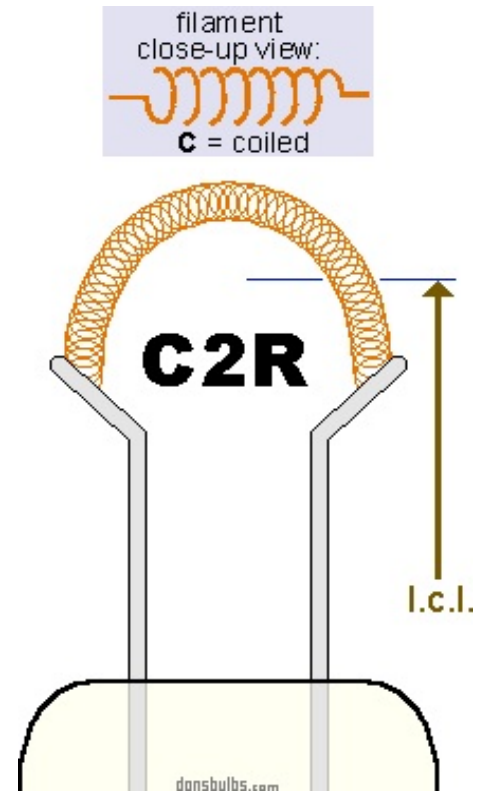
category:Incandescent - Miniature Lamp  
volt:2.5  
amp:0.3  
watt:0.75  
base:P13.5s - Single Contact Miniature Flange  
glass:B3-1/2  
filament:C2R  
fil.res.:8.33 ohm  
m.o.l.:1.25 inch (31.7MM)  
l.c.l.:0.25 inch (6.3MM)  
i.lumens:5.66  
cp:0.45  
d.hours:30  
notes:  
aircraft lamp  
Bead Color is brown  
clear glass  
dim:30.5MMx11.5MM  
dim:30MMx11MM  
emergency building lighting lamp  
flashlight bulb  
gas:vacuum  
incandescent lamp  
sc:2d  
specs verified against ANSI-SR25D1997



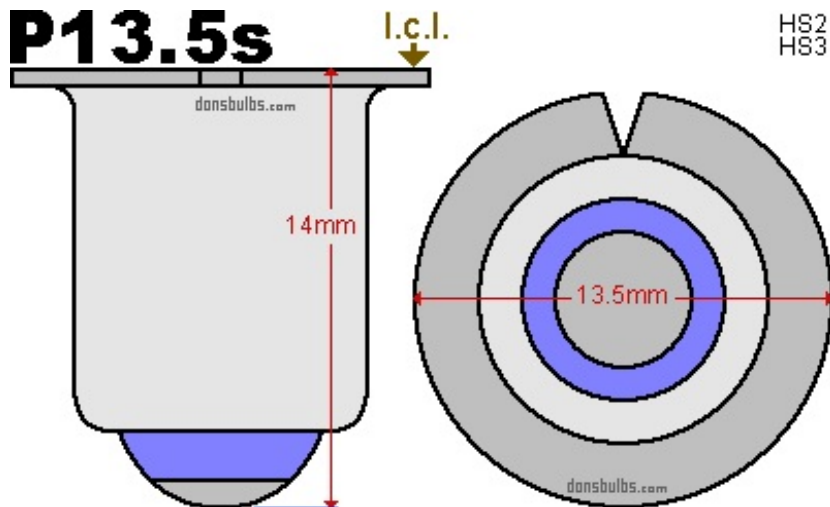
typical photo of PR6 USA I/2.5V/0.3A/P13.5S/B3.5/CL/30H bulb type  
(your bulb may look slightly different)



typical shape of B3-1/2 glass envelopes (not to scale)



typical shape of C2R filament (not to scale)



industry standards for base: P13.5s - Single Contact Miniature Flange (not to scale)