

## PR7 USA

I/3.7V/0.3A/P13.5S/B3.5/CL/30H

bulb specifications:

category: Incandescent-miniature lamp  
volt: 3.7  
amp: 0.3  
watt: 1.11  
base: P13.5s - Single Contact Miniature Flange  
glass: B3-1/2  
filament: C2R  
fil.res.: 12.3 ohm  
m.o.l.: 1.25 inch (31.8MM)  
l.c.l.: 0.25 inch (6.4MM)  
i.lumens: 11.3  
cp: 0.9  
d.hours: 30  
notes: aircraft lamp

Bead Color is purple

clear glass

dim:30.5MMx11.5MM

emergency building lighting lamp

flashlight bulb

gas:vacuum

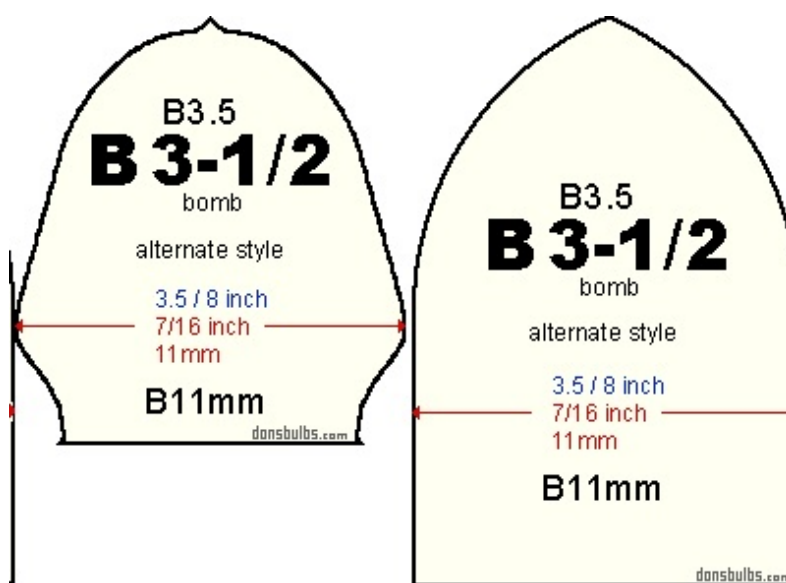
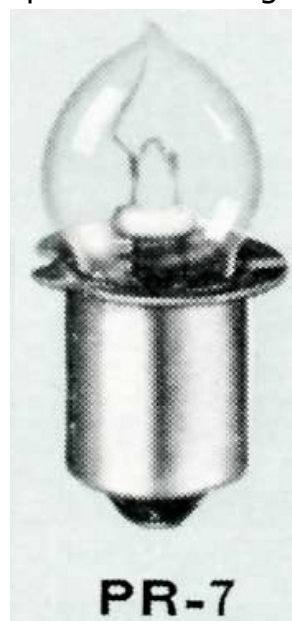
incandescent lamp

krypton gas


sc:3c

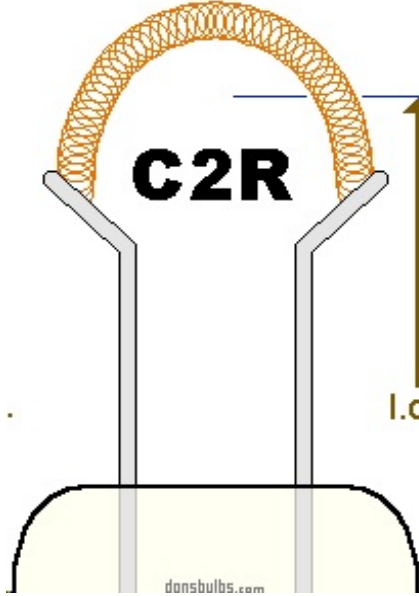
sc:3cor3d

specs verified against ANSI-SR25D1997



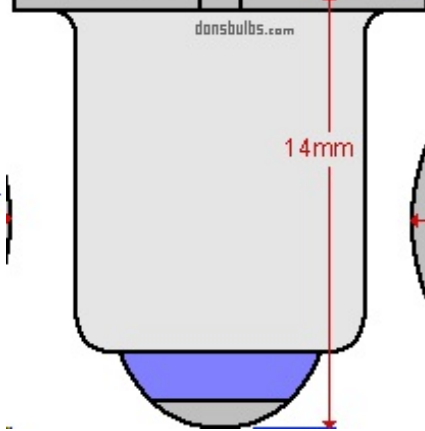
typical shape of B3-1/2 glass envelopes

filament  
close-up view:  
  
C = coiled



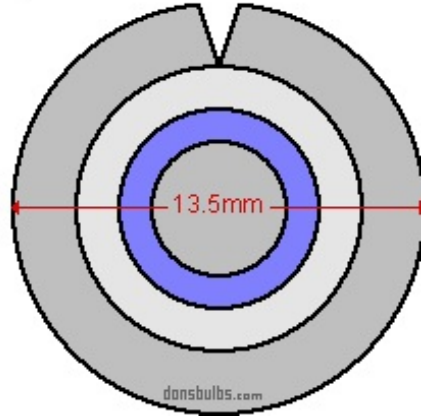
typical shape of C2R filament

**P13.5s**



I.c.l.

HS2  
HS3



industry standards for base: P13.5s - Single Contact Miniature  
Flange  
I.c.l.