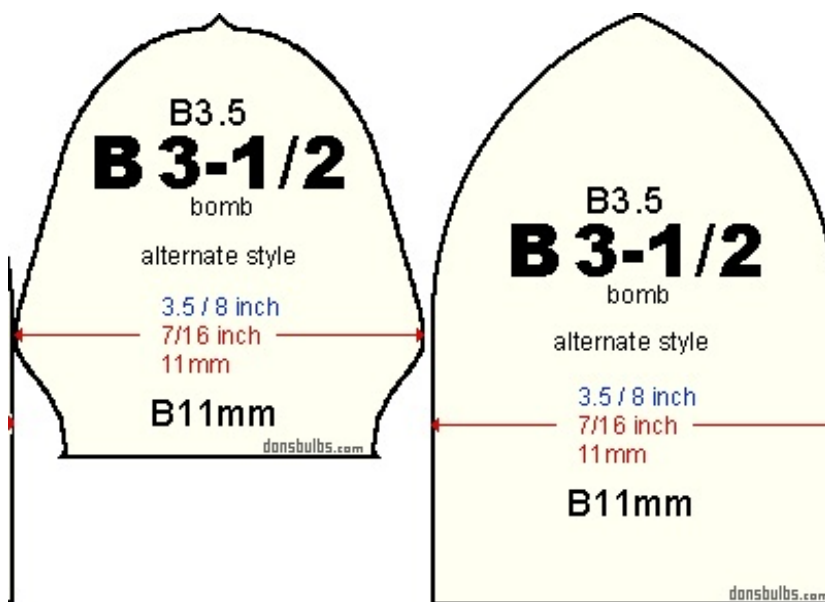
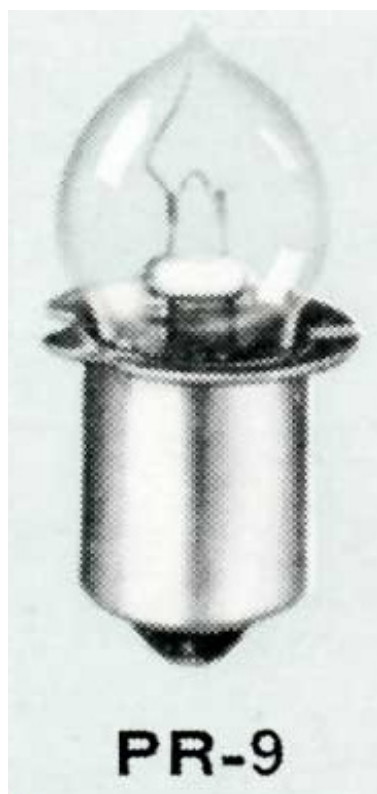


PR9 USA

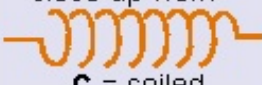
I/2.7V/0.15A/P13.5S/B3.5/CL/45H

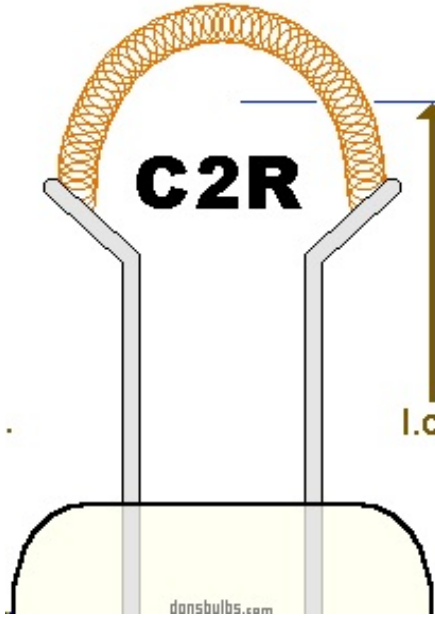
bulb specifications:

category: Incandescent-miniature lamp
volt: 2.7
amp: 0.15
watt: 0.41
base: P13.5s - Single Contact Miniature Flange
glass: B3-1/2
filament: C2R
fil.res.: 18 ohm
m.o.l.: 1.25 inch (31.8MM)
l.c.l.: 0.25 inch (6.4MM)
i.lumens: 3.14
cp: 0.25
d.hours: 45
notes: clear glass
dim: 30MMx11MM
flashlight bulb
incandescent lamp
sc:2d
specs verified against ANSI-SR25D1997



typical shape of B3-1/2 glass envelopes

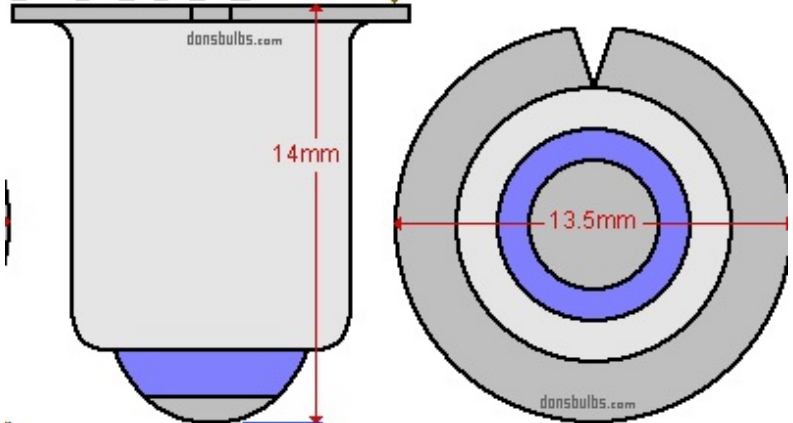
filament
close-up view:

C = coiled



typical shape of C2R filament

P13.5s l.c.l.

H82
H83



industry standards for base: P13.5s - Single Contact
Miniature Flange